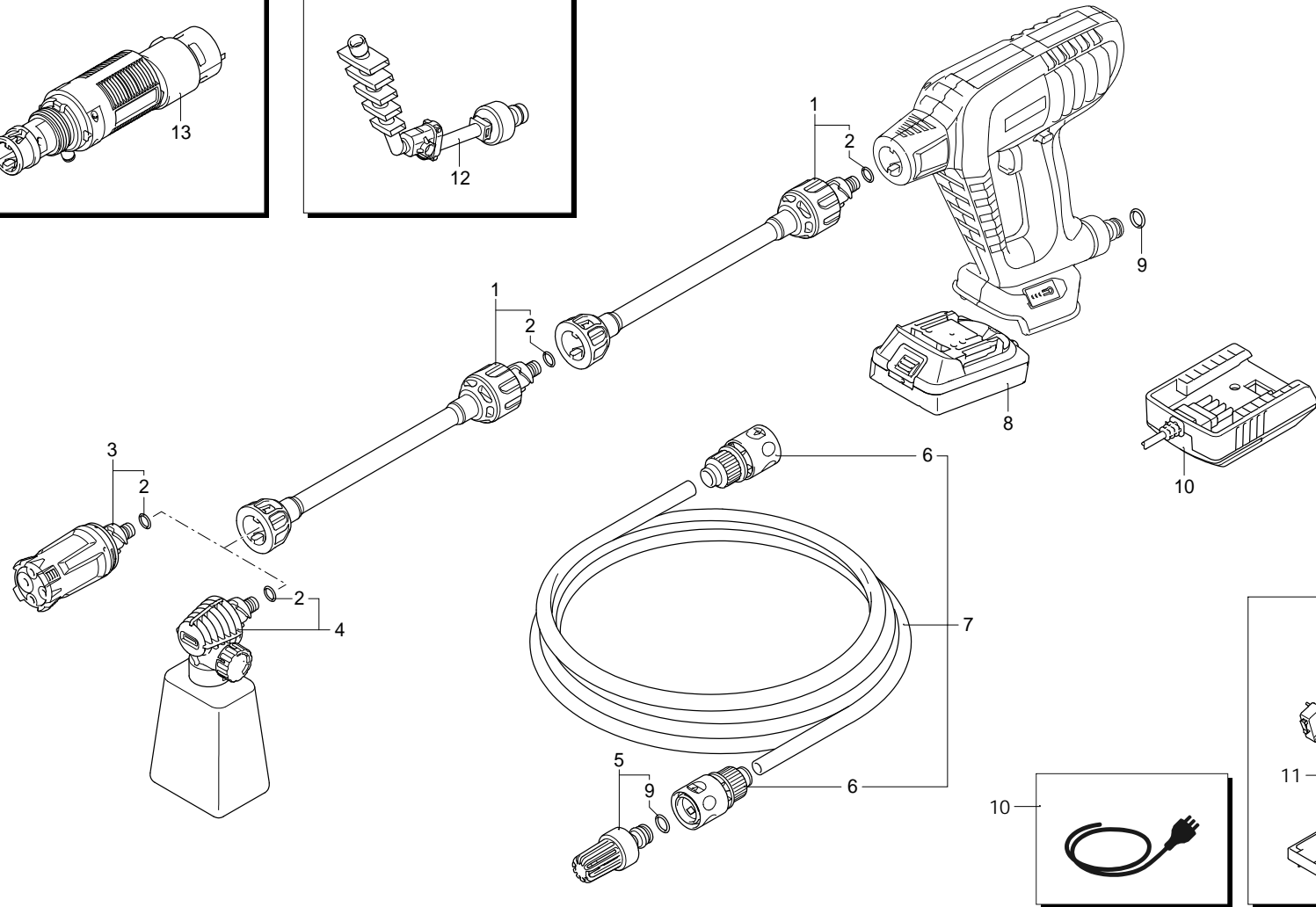
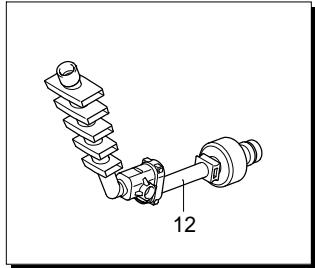
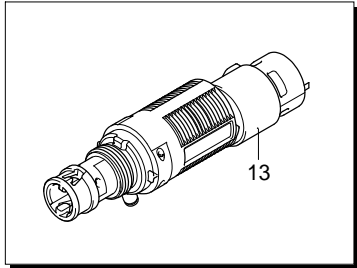


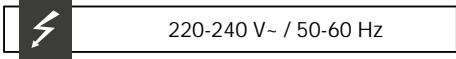


# BC250



P	Code	Q	Serial Number
1	5120011	1	
2	5120090	4	
3	5120040	1	
4	5120031	1	
5	5120110	1	
6	5120130	2	
7	5120051	1	
8	5120071	1	
9	5120110	2	
10	5120180	1	
11	5120140	1	
12	5120100	1	
13	5120120	1	

AR-0\_003036\_v01



220-240 V~ / 50-60 Hz



C

23/01/2026