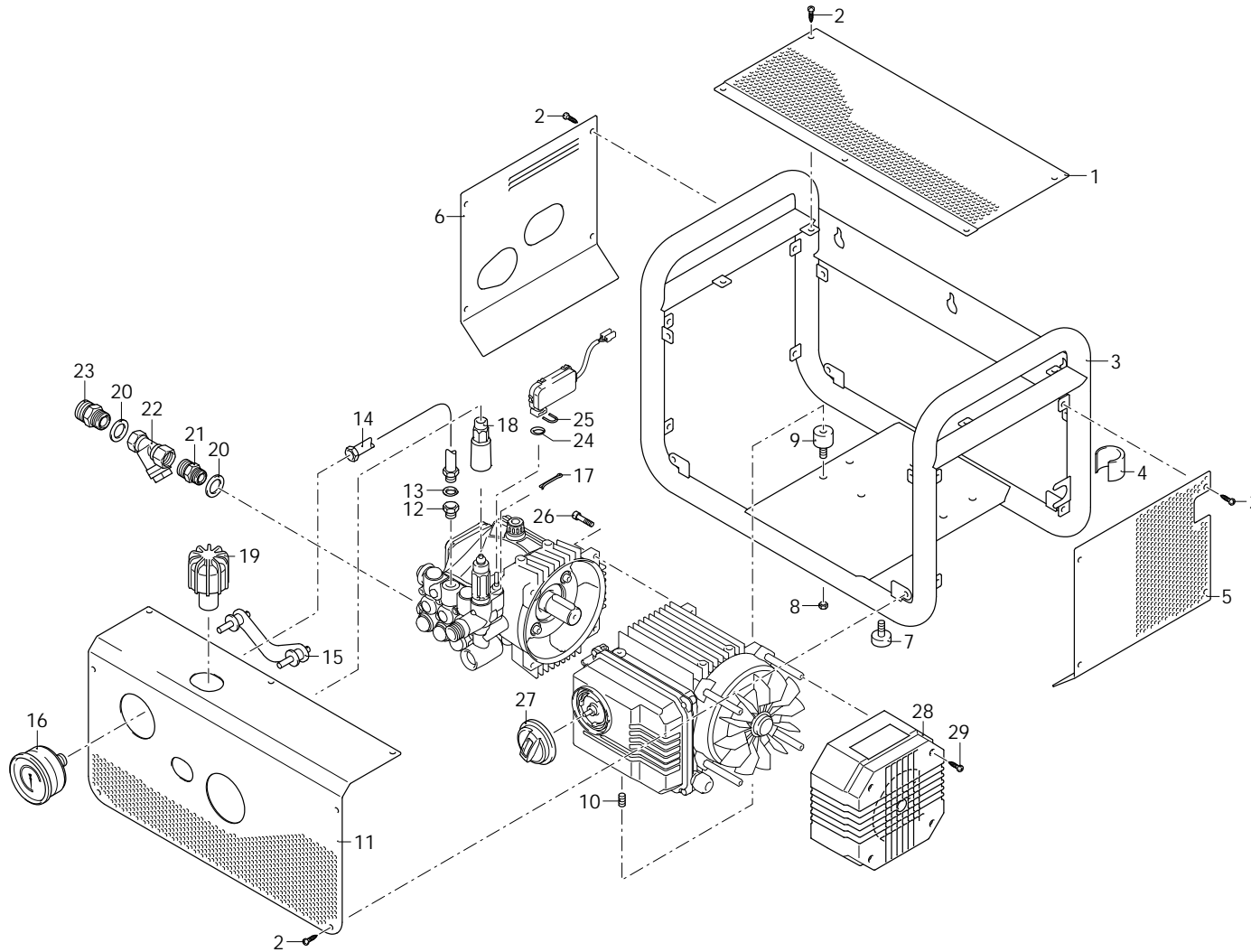


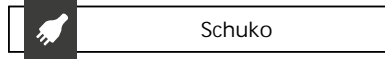
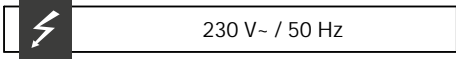


1210 HW



P	Code	Q	Serial Number
1	5640060	1	
2	1470130	17	
3	5640010	1	
4	5640100	2	
5	5640040	1	
6	5640050	1	
7	5640090	4	
8	160311	4	
9	5640080	4	
10	394172	4	
11	5640020	1	
12	3200431	1	
13	5640130	1	
14	5640110	1	
15	5640140	1	
16	5640220	1	
17	2500550	1	
18	3961040	1	
19	5500140	1	
20	1540120	2	
21	1540050	1	
22	51702	1	
23	3600760	1	
24	1260820	1	
25	3740090	1	
26	1260780	4	
27	1345425	1	
28	1261760	1	
29	1261551	4	

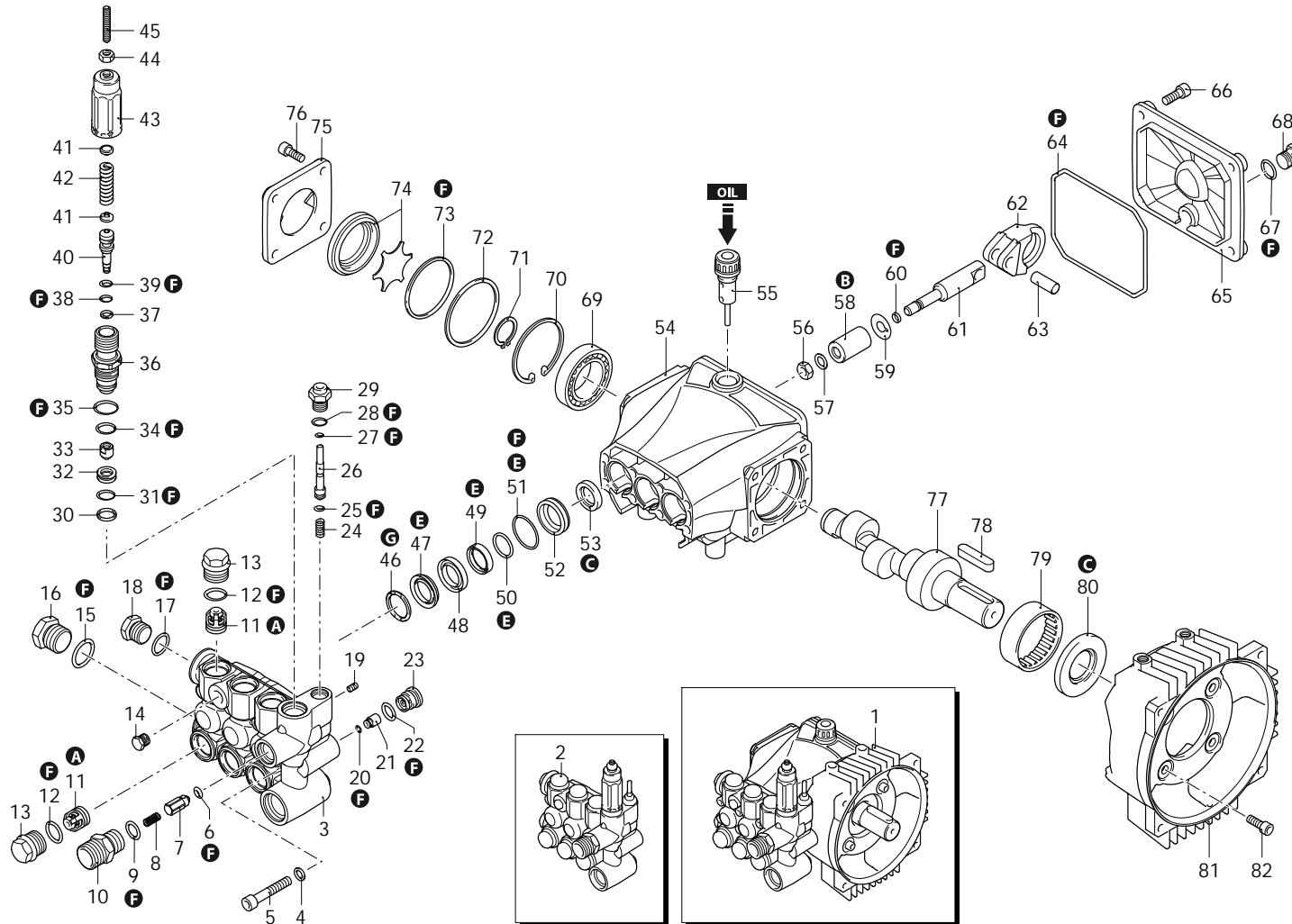
03-087



03/06/2026

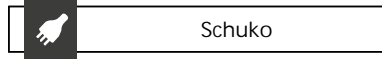
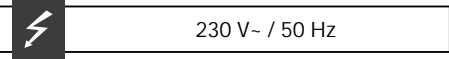


1210 HW



P	Code	Q	Serial Number
1	29651	1	
2	3209246	1	
3	3202200	1	
4	1381550	8	
5	800410	8	
6	1460432	1	
7	1540170	1	
8	1080091	1	
9	394282	1	
10	5640210	1	
11	2769055	6	
12	1200691	6	
13	3200110	6	
14	620301	1	
15	180102	1	
16	820361	1	
17	740291	1	
18	1980740	1	
19	1981190	1	
20	3720751	1	
21	3202440	1	
22	770141	1	
23	3202390	1	
24	2260460	1	
25	3202401	1	
26	3202480	1	
27	1080191	1	
28	880841	1	
29	3740420	1	
30	2760640	1	
31	770141	1	
32	2760980	1	
33	2260070	1	
34	394282	1	
35	1200691	1	
36	2760570	1	
37	2760210	1	
38	660192	1	
39	2540100	1	
40	2760400	1	
41	1980220	2	
42	2760410	1	
43	3202360	1	
44	1060120	1	
45	3202410	1	
46	1780140	3	
47	1260221	3	
48	3200130	3	
49	3200143	3	
50	3200260	3	
51	770191	3	
52	3200120	3	

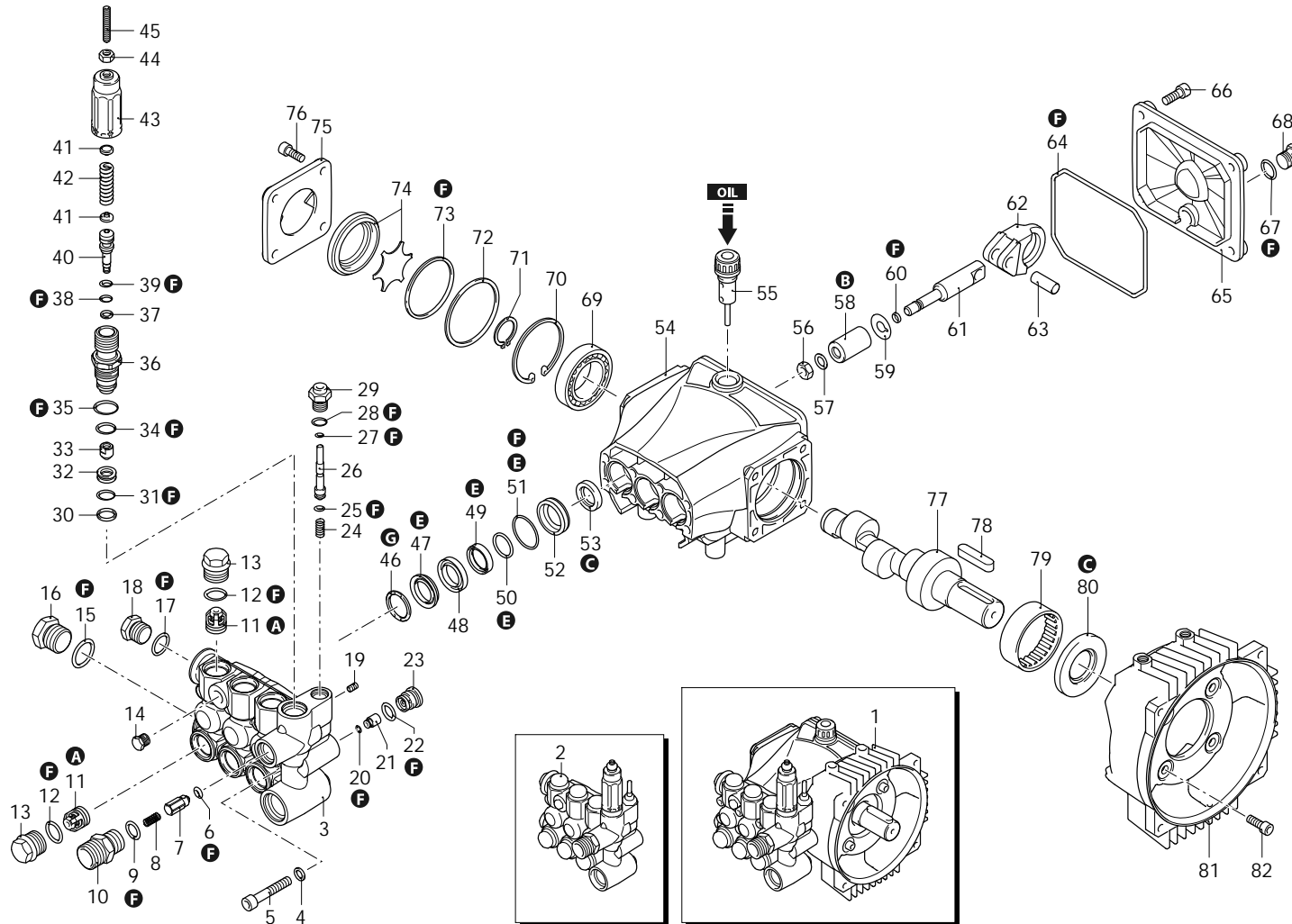
s320_04-007



03/06/2026

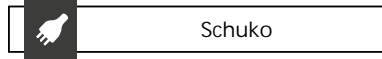
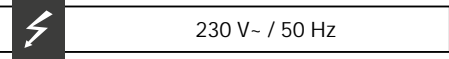


1210 HW



P	Code	Q	Serial Number
53	1260460	3	
54	3200010	1	
55	3201890	1	
56	1260110	3	
57	1260100	3	
58	1260210	3	
59	1260091	3	
60	480480	3	
61	3200060	3	
62	3200040	3	
63	1780050	3	
64	2760280	1	
65	3200030	1	
66	3200220	4	
67	820510	1	
68	880581	1	
69	1780490	1	
70	1260790	1	
71	1780550	1	
72	3201860	1	
73	395081	1	
74	3209615	1	
75	3200070	1	
76	1200430	4	
77	3201640	1	
78	1380520	1	
79	1321190	1	
80	1260750	1	
81	1273060	1	
82	3600330	4	
A	47806	1	
B	42467	1	
C	42468	1	
E	47734	1	
F	47982	1	
G	2745	1	

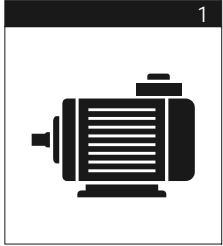
s320_04-007



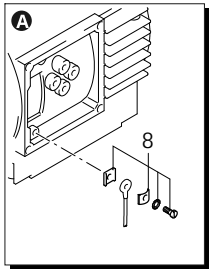
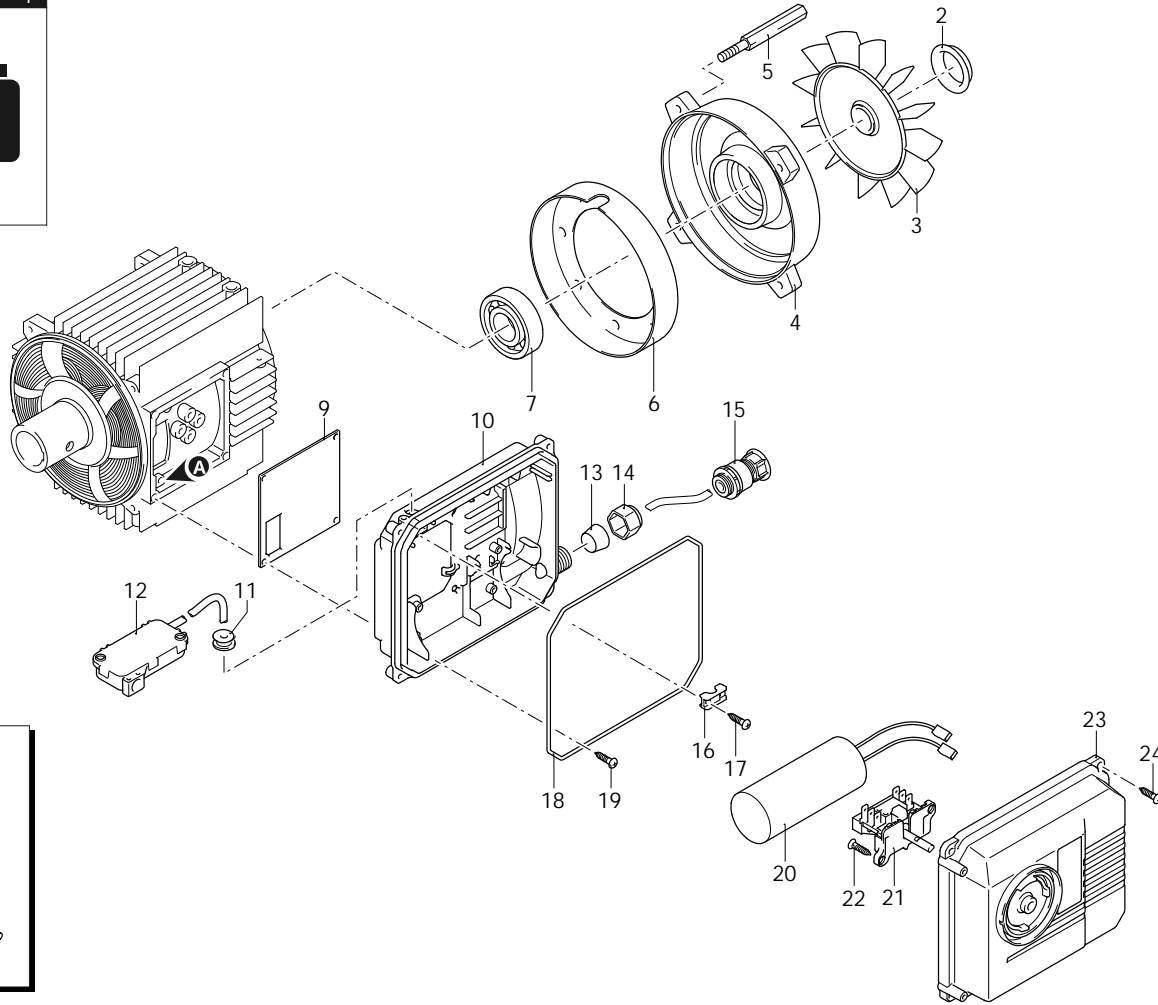
03/06/2026



1210 HW



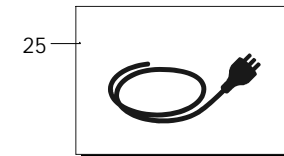
1



05-074

230 V~ / 50 Hz

Schuko



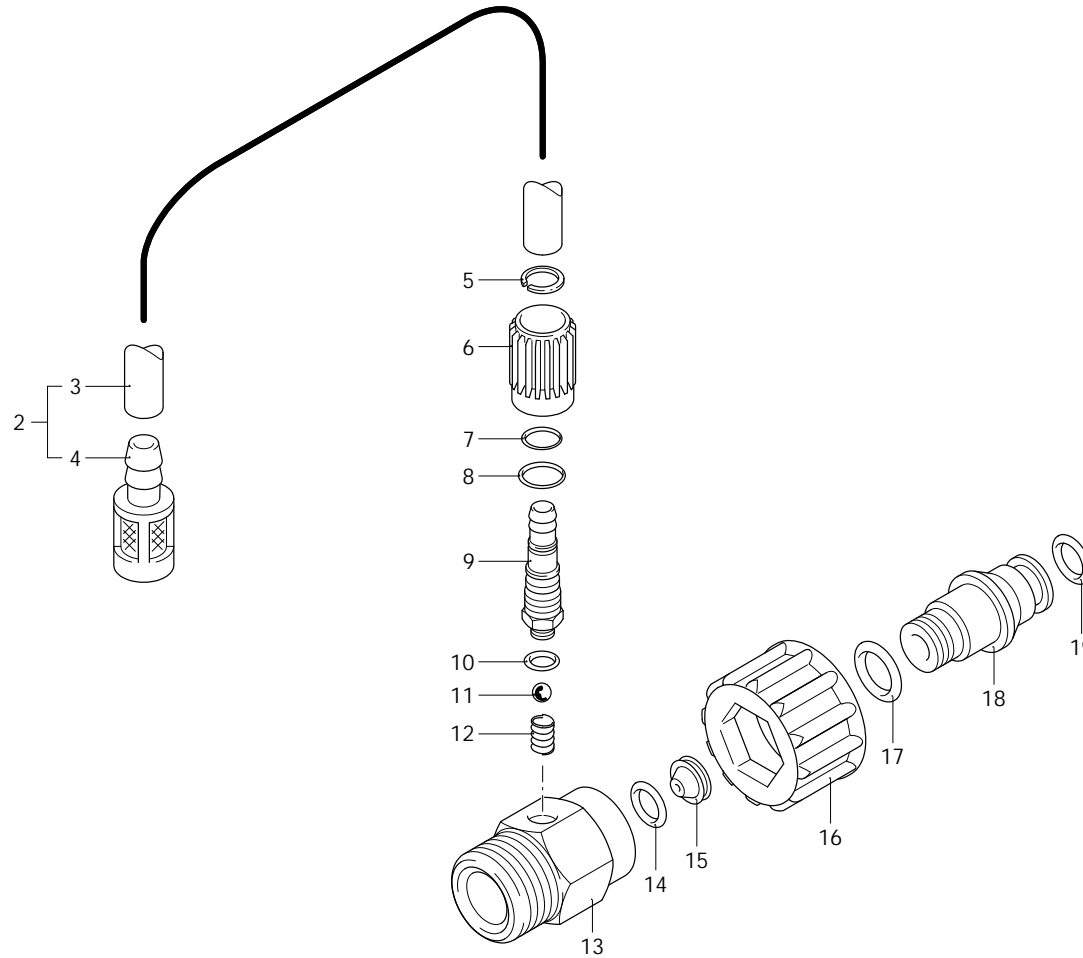
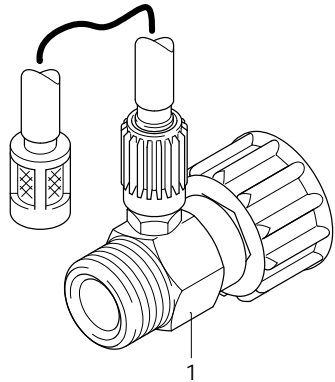
25

P	Code	Q	Serial Number
1	45695	1	
2	1260970	1	
3	1260300	1	
4	1260960	1	
5	1260360	4	
6	1266710	1	
7	1260950	1	
8	1269100	1	
9	5500210	1	
10	5500151	1	
11	2021480	1	
12	3749004	1	
13	1340660	1	
14	4760480	1	
15	1262370	1	
16	1263020	1	
17	2000210	1	
18	4760470	1	
19	1261560	4	
20	1263520	1	
21	5500420	1	
22	2000210	1	
23	5500160	1	
24	2100300	4	
25	1760450	1	

03/06/2026

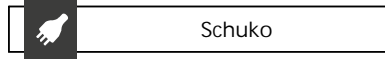
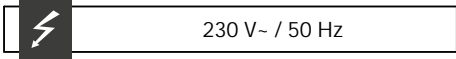


1210 HW



P	Code	Q	Serial Number
1	47497	1	
2	1269115	1	
3	1262790	1	
4	1341030	1	
5	1560660	1	
6	1560680	1	
7	480560	1	
8	800560	1	
9	1560650	1	
10	480480	1	
11	1250280	1	
12	1560520	1	
13	5500380	1	
14	1470210	1	
15	2760240	1	
16	1123800	1	
17	800560	1	
18	1123810	1	
19	391000	1	

24-001

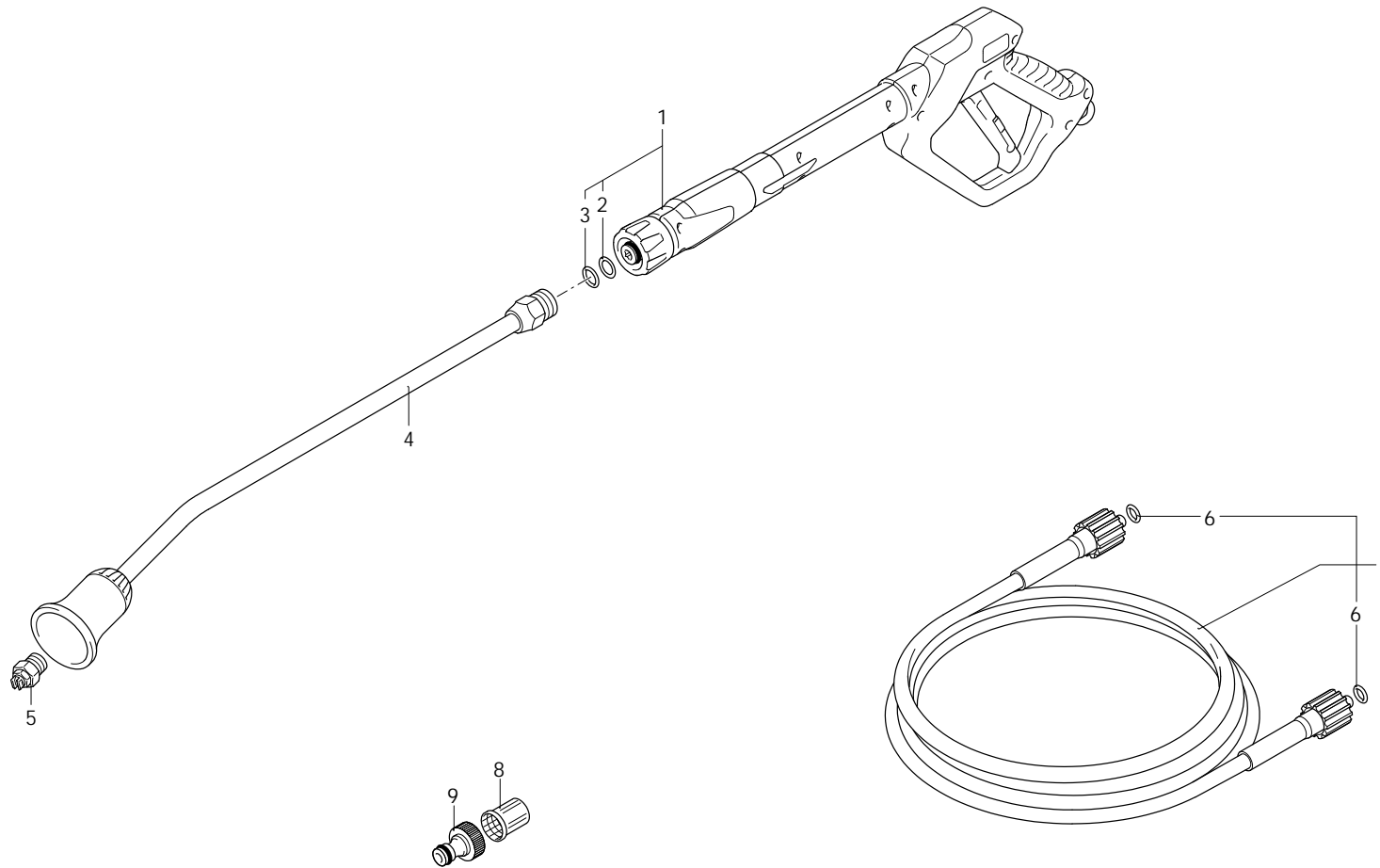


03/06/2026





1210 HW

P	Code	Q	Serial Number
1	47209	1	
2	1080640	1	
3	391000	1	
4	47078	1	
5	3082	1	
6	2000570	1	
7	5640190	1	
8	1340260	1	
9	40393	1	



AR_sp_Type_22_02-007

 230 V~ / 50 Hz

 Schuko

03/06/2026